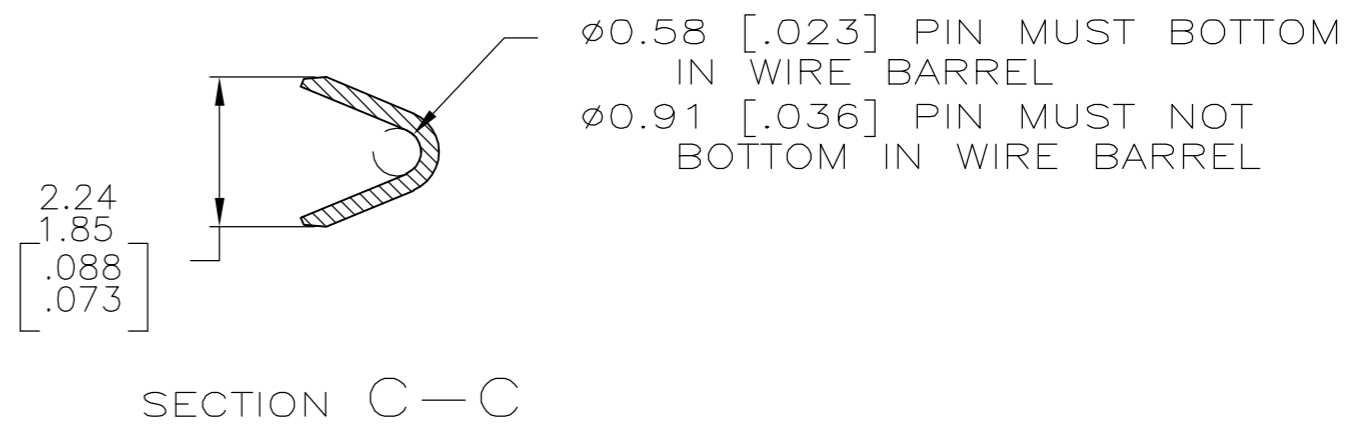
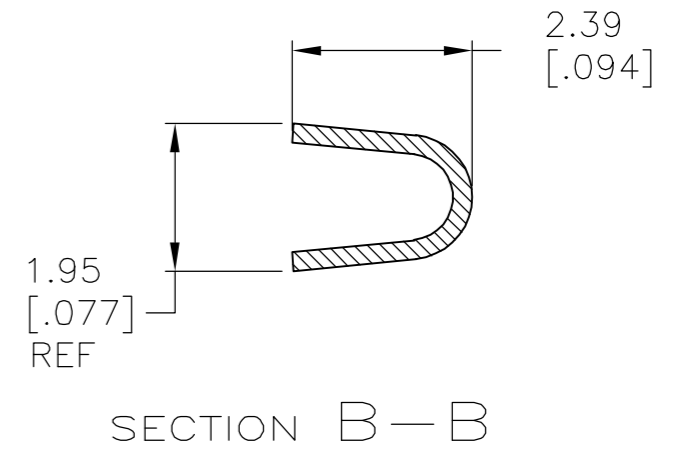
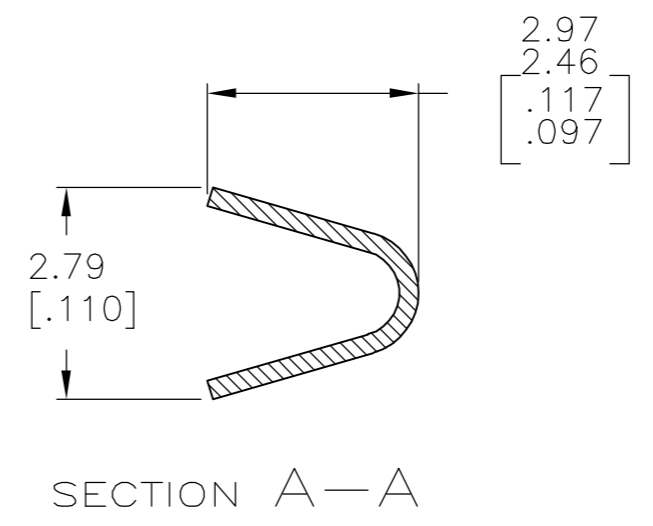
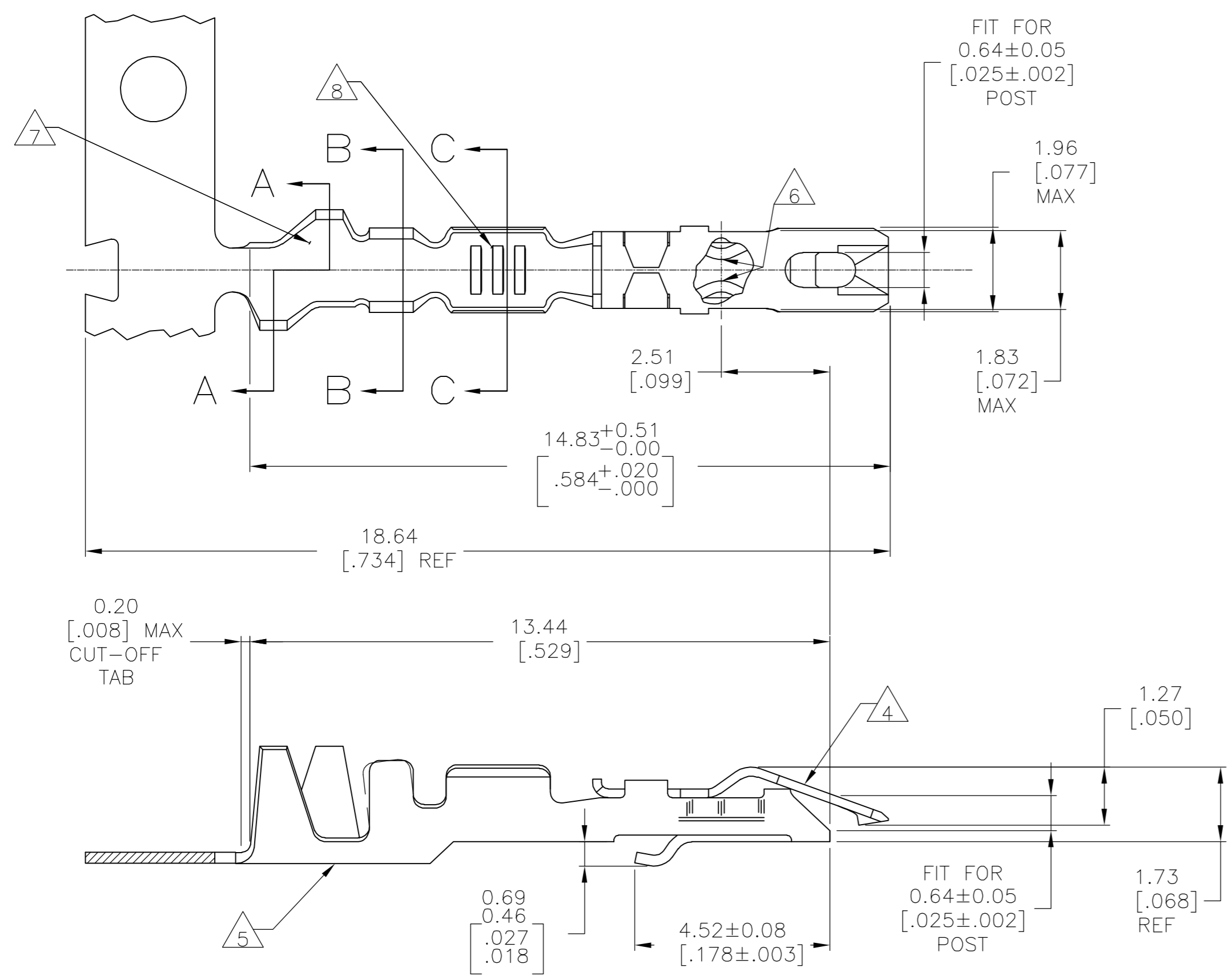


THIS DRAWING IS UNPUBLISHED. RELEASED FOR PUBLICATION
 © COPYRIGHT BY TYCO ELECTRONICS CORPORATION. ALL RIGHTS RESERVED.

LOC	DIST	REVISIONS					
		P	LTR	DESCRIPTION	DATE	DWN	APVD
AD	00	Z		ECO-06-11106	10AUG06	MB	NE



1. REELED FOR MINI APPLICATOR.
2. PLATED WITH .00254 [.000100] TIN LEAD OVER .00127 [.000050] NICKEL ENTIRE CONTACT.
3. PLATED WITH .00076 [.000030] GOLD IN CONTACT AREA, GOLD FLASH ON REMAINDER, OVER .00127 [.000050] NICKEL.
4. SPRING MATERIAL: STAINLESS STEEL.
5. BODY MATERIAL: PHOSPHORUS BRONZE (SEE TABLE FOR FINISH.)
6. POINT OF PLATING MEASUREMENT.
7. INSULATION BARREL RANGE ø0.71 [.038]-ø1.57 [.062].
8. WIRE BARREL RANGE #20
9. PLATED WITH .00254 (.000100) TIN OVER .00127 (.000050) NICKEL, ENTIRE CONTACT.

SUPERSEDED BY 5-867052-1

9	5-867052-1
9	867052-3
3	867052-2
2	867052-1
FINISH	PART NUMBER

THIS DRAWING IS A CONTROLLED DOCUMENT.		DWN	E.BRANDBERG	17-1-93	Tyco Electronics Corporation Harrisburg, Pa 17105-3608		
DIMENSIONS: mm [INCHES]		CHK	S. SHUEY	26-1-93			
TOLERANCES UNLESS OTHERWISE SPECIFIED:		APVD	-	-	NAME		
0 PLC ± -		PRODUCT SPEC		108-36028			
1 PLC ± -		APPLICATION SPEC		114-25006			
2 PLC ± -		WEIGHT		-			
3 PLC ± 0.13[.005]		SIZE		A2	CAGE CODE	00779	DRAWING NO
4 PLC ± -		FINISH		AS SHOWN		C=867052	
ANGLES ± -		CUSTOMER DRAWING		SCALE		10:1	SHEET 1 OF 1
FINISH AS SHOWN		RESTRICTED TO		-			
AS SHOWN		REV		Z			